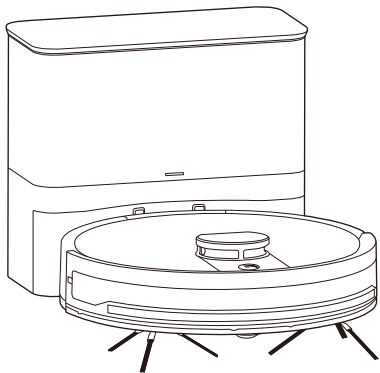


ILIFE-A12 Pro

Robotic vacuum cleaner

User Manual



For more detailed information,
please visit: www.iliferobot.com | **ILIFE**

Dear Customer,

Thank you for purchasing the ILIFE A12 Pro Robotic Vacuum Cleaner! You've joined the millions of people cleaning with robots - the smartest way to do it.

Please take a few moments to read through this manual and familiarize yourself with your robot to achieve the best performance. If you encounter any issues with your robot, feel free to contact our customer service or visit our website at www.iliferobot.com for further assistance. Stay connected with us on Facebook and Twitter to enjoy these exclusive benefits:

- Get tailored support for your specific robot, including answers to your questions, maintenance tips, video demonstrations, live chat, and more.
- Receive product updates and other valuable information, be among the first to discover new robots, exclusive discounts, and special promotions.

Connect with us now on

Facebook: <https://www.facebook.com/ilifeglobal>

Twitter: https://twitter.com/ilife_global

Enjoy comprehensive cleaning every day! Best regards,
ILIFE Innovation

ILIFE Customer Service



support@iliferobot.com

Table of Contents

Safety Instructions	3
Product Composition	5
List of accessories	5
Host introduction	6
Robot anatomy	7
Self-empty station	8
2-in-1 dustbin and water tank	9
Remote control	9
Product Specifications	11
Product Operating	12
Attentions	12
Quick guide	14
Select cleaning modes	18
Water tank operation	19
App Connection	21
Maintenance	25
Clean up dustbin and filters	25
Cleaning of water tank components	26
Replacing the dust bag	27
Cleaning the dust passage	27
Clean up the side brushes	28
Check side wheels	28
Other spare parts	28
Troubleshooting	30
Alert Reference	30

Safety Instructions

Warnings

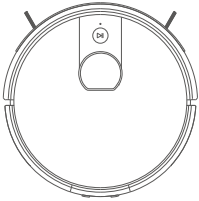
1. This robot should not be used by children under 8 or people with mentally challenged, unless they are under supervision. Do not let children sit on the robot or use it as a toy.
2. Attend to the robot promptly if an error occurs during cleaning. Before using the robot, remove all power cords and small objects on the floor. Roll up carpet tassels and make sure curtains and table cloth are not in contact with the floor.
3. If there are hanging steps or stairs, please test if the robot can detect them before use. If not, please set up barriers to avoid falling down, and make sure that the barriers cause no harm to people.
4. Follow the instructions in this user manual. Use factory authorized or recommended accessories only.
5. Make sure the voltage of the charging dock is compatible with the voltage of power supply.
6. Use the robot indoor and in a home environment only. Do not use it outdoor, or in commercial or industrial spaces.
7. Use factory authorized adaptor and charging dock only. Do not use non-rechargeable battery. Refer to “Product Specifications” section for details about battery standards.
8. Do not soak the robot in water and do not rinse the robot under the faucet.
9. Do not clean the robot with dripping wet cloth.
10. Do not use the robot on floors with ponding water.
11. Do not use the robot near fire or fragile objects.
12. Do not make the cloth, humans hair, finger, or other parts of the body close to the open or the running mechanism of the robot.
13. Do not use the robot on floors with stones or paper to avoid being stuck.
14. Do not use the robot in areas with any flammables, such as gasoline, toner and so on. Or use the robot to clean any burning objects, like cigarettes, ashes or matches, or anything that may cause a fire.
15. Do not use damaged charging dock.
16. Do not lift up the robot or the charging dock by the power cord, and keep the power cords away from heat and avoid it being trapped around doors, sharp edges or corners.

Safety Instructions

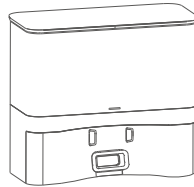
17. Damaged power cords must be repaired by manufacturer's repair service or certified technicians.
18. Install dustbin and filters properly before using the robot.
19. Do not use the robot in rooms where babies are sleeping.
20. Do not use damaged power cords or charging dock to recharge the robot.
Do not use the robot if it's damaged by falling down, or soaking in water.
21. Turn off the power switch if the robot will not be used for a long time.
22. Turn off the power switch before cleaning or maintaining the robot.
23. Unplug power cords from the charging dock before cleaning or maintaining the robot.
24. Remove battery before discarding the robot.
25. Robot and battery are to be disposed of according to local safety regulations.
26. Do not cremate the robot to avoid the explosion.
27. Follow the instructions in this user manual.
Manufacturer is not responsible for any damages caused by improper use.

Product Composition

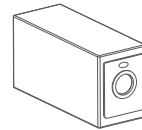
List of accessories



Main body



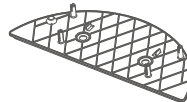
Self-empty station



Dust bag X5



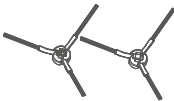
Remote Control



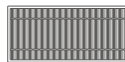
Mopping support



Mop cloth



Extra side brush X2



High performance filter



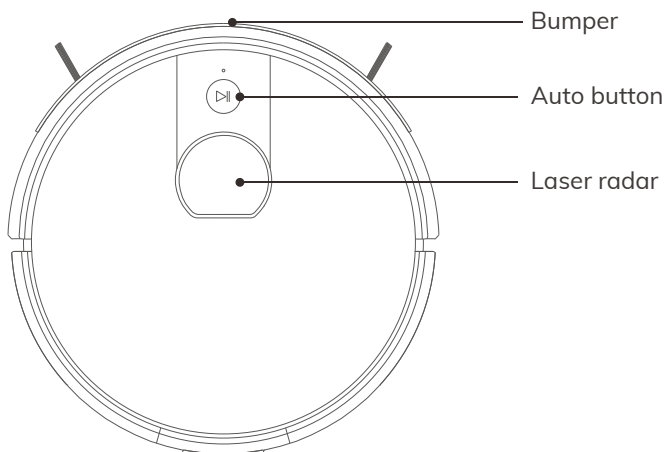
User manual



AAA Battery X2

Product Composition

Host introduction

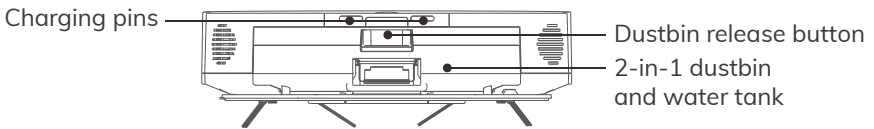
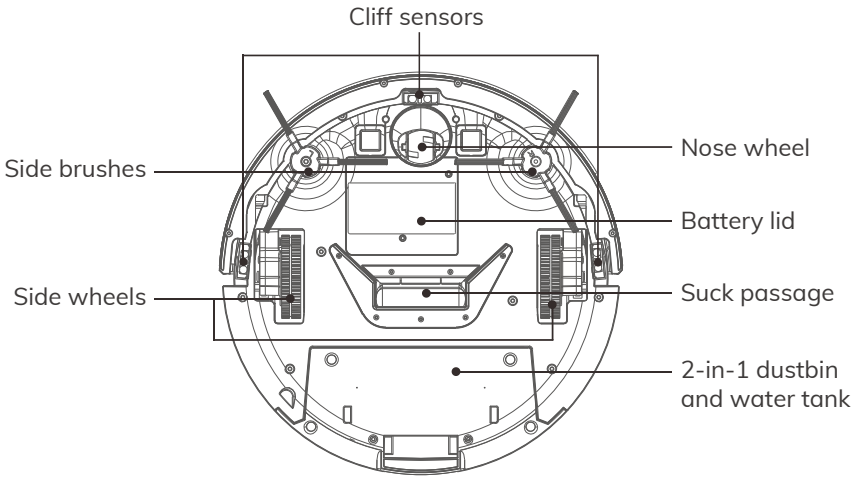


Button	Robot status	Operation	Functional description
Auto Button	Turn off	Press and hold for 2 seconds	Turn on the robot
	Turn on	Press the button once	Start/Stop cleaning
		Press and hold for 3 seconds	Turn off the robot

Power indicator	Green	Electricity $\geq 12\%$
	Orange	Electricity $\leq 12\%$
	Red	Failure or abnormality

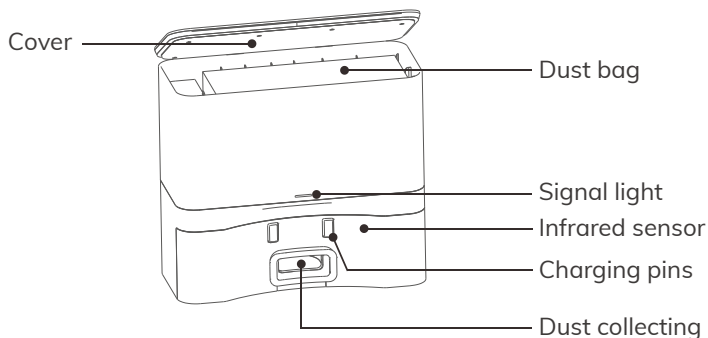
Product Composition

Robot anatomy



Product Composition

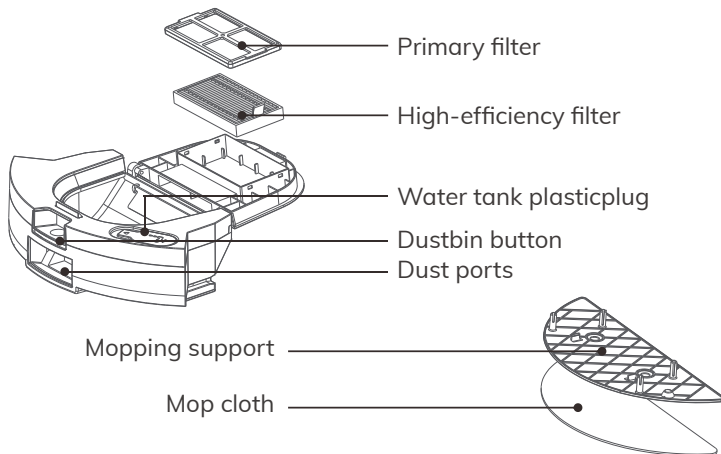
Self-empty station



Power indicator light	Green	Solid on - Robot vacuum fully charged
		Breathing - Self-emptying station powered on
	Red	Flashing - Dust bag not installed
	Orange	Flashing - Self-emptying station starting to collect dust
		Breathing - Charging in progress
Off	Sleep mode	

Product Composition

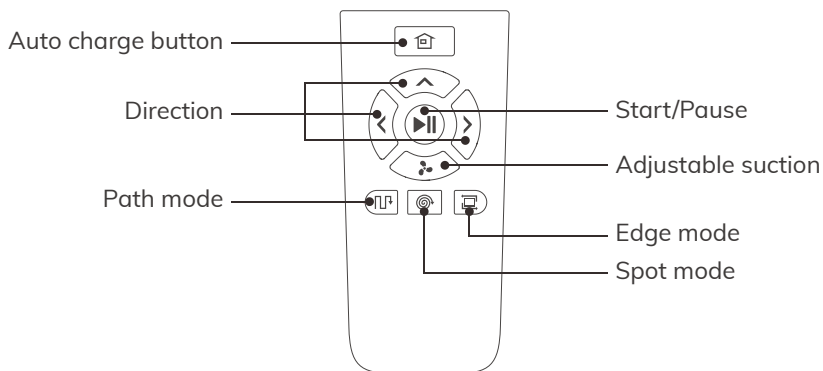
2-in-1 dustbin and water tank



Note:

When the water tank is filled with water, the robot's ability to overcome obstacles and climb hills may be affected.

Remote Control



Product Composition

1 Clean/Pause button

- Press the button to switch the robot from sleep mode to idle mode.
- Press the button when in idle mode to start cleaning.
- Press the button to Pause the robot during its operation.

2 Direction buttons

A. “^” Forward

Press the button to move the robot forward.

B. “↻” Adjustable suction

Press the button to switch suction in working mode.

C. “<” Left

Press the button and the robot will turn left.

D. “>” Right

Press the button and the robot will turn right.



Note: “^” cannot be used during a cleaning cycle.

3 Auto charge button

Press the button and the robot will return to the charging dock for recharging.

4 Edge cleaning button

Press the button to start border cleaning.

5 Spot mode button

Press the button to start the spot cleaning.

6 Path mode

Press the button to start cleaning under path mode.

7 MAX mode

During the cleaning process, if there is a lot of dust, press this button to increase the suction power of the robot. Press it again to switch to the max suction power, press it again to switch to the mute mode suction, and press it again to switch back to auto mode suction.



Note:

Please install two AAA/R03 batteries before using the remote control.
Please take out the batteries if the remote control won't be used for a long time.

Product specifications

Main unit

Overall dimension	315x315x93mm
Net weight	2.4kg
Battery type	Li-ion
Rated voltage	14.4V
Rated power	40W
Charging time	<300mins
Capacity of dustbin	0.2L
Capacity of water tank	0.2L

Self-empty station

Overall dimension	285x145x253mm
Net weight	2.0kg
Rated Input	220-240V~50/60Hz
Rated Output	19V = 0.6A
Rated power	550W
Dust bag capacity	2.5L



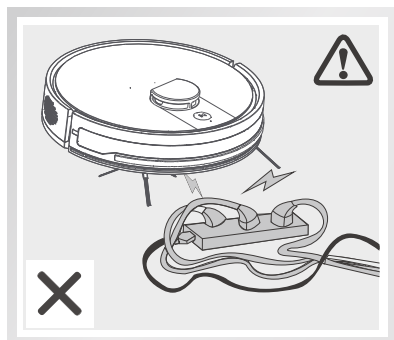
Note:

The company reserves the right of final decision on the interpretation of these terms and conditions.

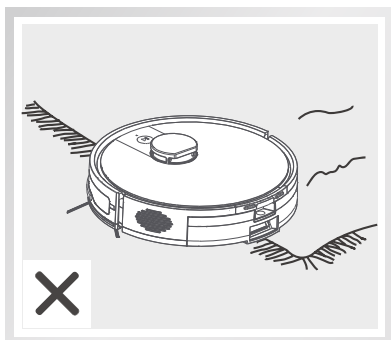
Product Operation

Attentions

The robot may skip over some areas due to the complexity of the home environment. To achieve the best result, we suggest using it as daily routine and clearing up the obstructions on the floor before starting the robot.



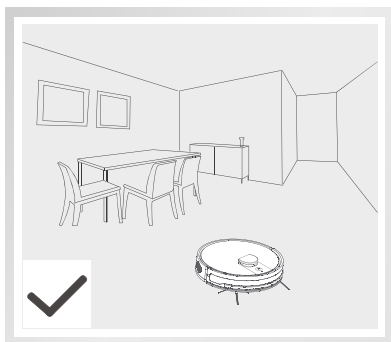
Please move away the power cords and other objects that may tangle the robot before cleaning.



Please fold up the edges of the carpets before cleaning.

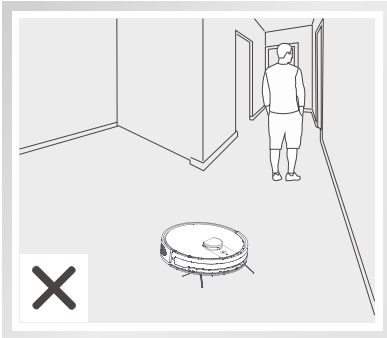


To avoid being stuck during cleaning, please arrange the furniture neatly.

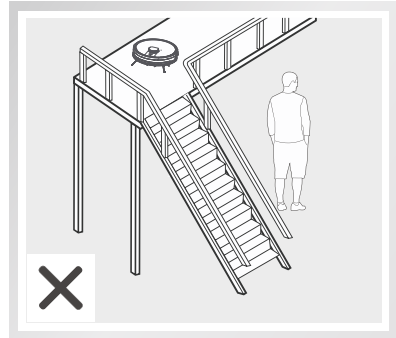


Product Operation

Attentions



Please do not stand at somewhere with narrow space like the door sill or hallway in case of blocking the robot and skipping over some areas.



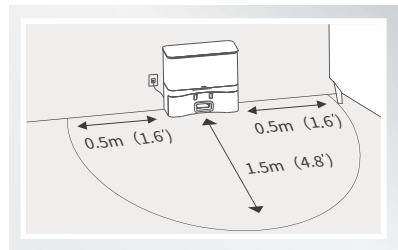
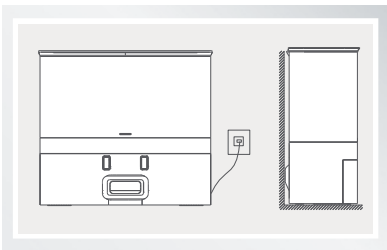
Please do not stand by downstairs when the robot is working upstairs in case of getting injured by any fallen objects.

Product Operation

Quick guide

1 Self-emptying station installation

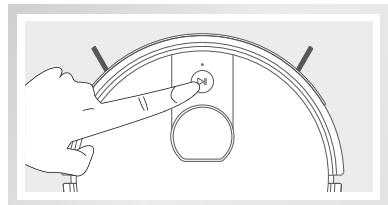
- Place the self-emptying station on a hard surface against the wall, plug in the power cord, and turn on the power.
- Ensure there are no obstacles within approximately 1.5 meters in front of and 0.5 meters above the self-emptying station's infrared signal range. Avoid strong reflective objects like mirrors and direct sunlight.
- Install the dust bag and close the lid. The self-emptying station indicator light will breathe, indicating it's in standby mode.



Reminder: After powering on the self-emptying station, the indicator light will stay solid.

2 Turn on the robot

- Press and hold the AUTO button for 2 seconds to turn on, and press and hold it for 3 seconds to turn off.



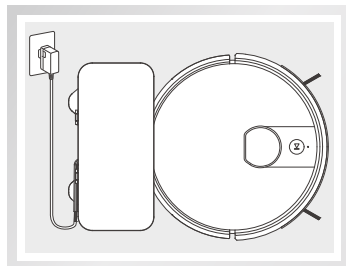
Note:

- After the robot finishes its work, please do not turn it off, and fully recharge it for the next run.
- If the robot pauses working for more than ten minutes, it will enter sleeping mode. If you need to wake up the robot again, you need to press the AUTO button once.

Product Operation

3 Robot charging

1. Place the robot unit on the self-emptying station, aligning it with the charging electrodes.
2. During charging, the AUTO button will breathe orange; after charging is complete, all lights will turn off.
3. Charge for 6 hours for the first time.

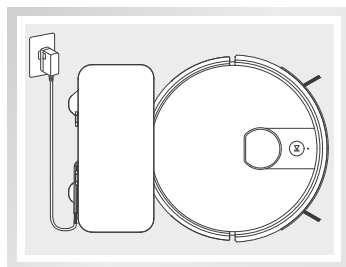


Reminder:

1. Please keep the charging pins clean in daily use to ensure a good connection.
2. For daily use, place the robot on the self-emptying station and ensure the self-emptying station is powered on. (Placing it on the self-emptying station will automatically turn it on.)
3. If you won't use the robot for a long time, please fully charge it, turn off the power and keep it in a well-ventilated dry place.

4 Automatic dust collection by self-emptying station

- When the charging contacts of the self-emptying station come into contact with the robot vacuum and begin charging, wait for 3 seconds to start the dust collection mode. The fan will run for 15 seconds, and the self-emptying station indicator light will flash orange.
- The dust collection will only occur when the robot has cleaned for more than 5 minutes and returned to recharge. (The App can be set to schedule a return to charge and dust collection after running the machine randomly three times, each time for more than 5 minutes.)



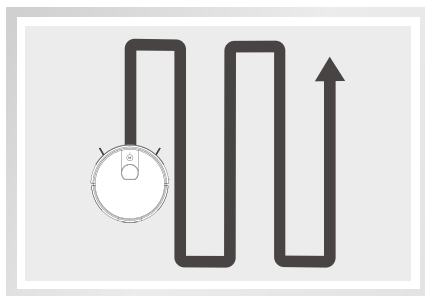
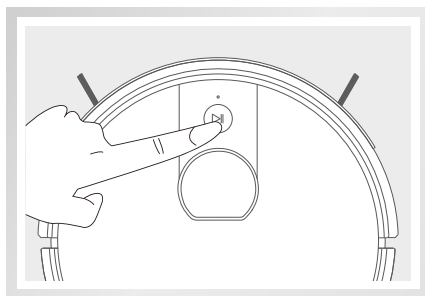
Note:

If the machine has a mop bracket installed, dust collection function will not be executed.

Product Operation

5 Start cleaning

After waking up the robot, you can press the AUTO button once, and the robot will start the automatic cleaning.

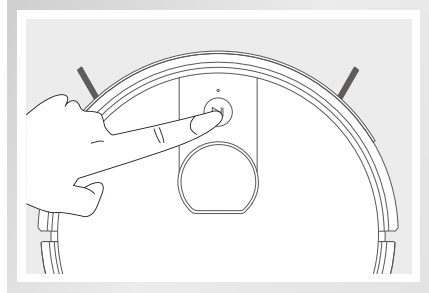


- * Before starting cleaning, you need to make sure the indicator light is flashing and the robot is in a wake-up state. If the robot is sleeping, please press the AUTO button once to wake up the robot.
- * If you want to choose other modes, please operate on the App.
- * The robot performs path planning autonomously during the working process. If it is manually moved or operated by the App (except pause), the robot will re-plan the path and may re-clean the cleaned area. To ensure the working efficiency of the robot, please do not manipulate the robot. (If the machine is lifted, it will alarm and stop cleaning, and you need to press the AUTO button or operate the App to restart cleaning)

Product Operation

6 Pause

When the robot is working, you can pause the robot by pressing the robot's AUTO button or the "standby" button in the App.



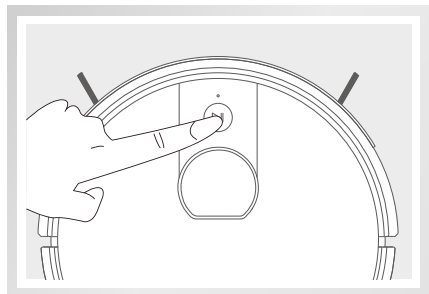
Reminder:

1. The Robot will automatically enter the Sleep Mode if no action is taken for 10 minutes. If you want to start the robot again, please press the AUTO button once to wake up the robot.
2. The robot will work out a new cleaning path, and will clean the areas again which have been cleaned before.

Note: After the sleeping robot in pause mode is woken up again, it needs to be restarted to start cleaning, and the robot will not resume the last unfinished cleaning.

7 Sleep mode

- The Robot will automatically enter the Sleep Mode if no action is taken for 10 minutes.



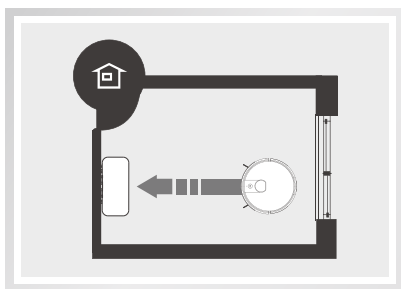
Product Operation

Select cleaning modes

This product can set a variety of cleaning modes through the App to adapt to different ground conditions and achieve deep cleaning.

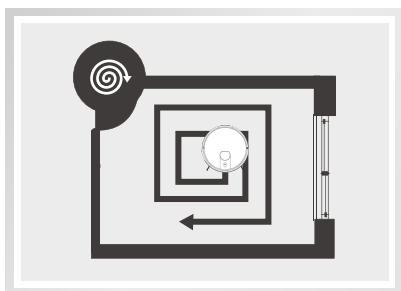
1 Auto charge

The robot can sense lower power during the cleaning process and automatically activate Self-charge Mode and search for the charging dock.



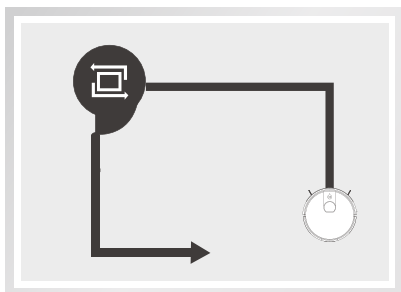
2 Spot mode

This mode is suitable for the ground environment where garbage is more concentrated. In this mode, the robot can carry out concentrated cleaning in a "spiral" route in a designated area.



3 Edge Mode

This mode is mainly for cleaning indoor corners. In this mode, this robot can clean along the edge of fixed objects (such as walls).



Product Operation

Water tank operation

The water tank with a mopping cloth is installed into the device. Please kindly add water to the water tank before mopping. It is recommended to vacuum the floor before mopping. For daily maintenance, please check out the tips on the corresponding chapter in this manual.

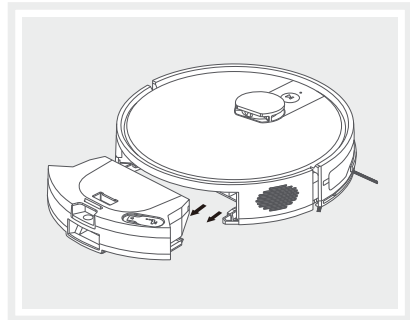


Note:

1. Please do not use water tank components on the carpet .
2. Please pay attention during the mopping mode, timely add water or clean the mopping pad. The water tank needs to be removed when adding water.
3. Be sure to remove the water tank components when charging.

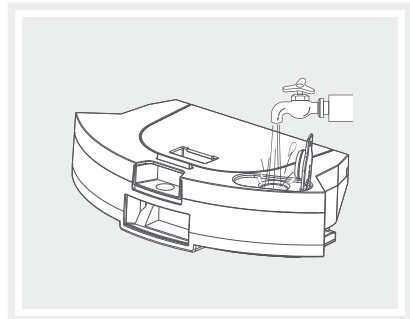
1 Remove the water tank components

Slide back to remove the water tank components.



2 Add water

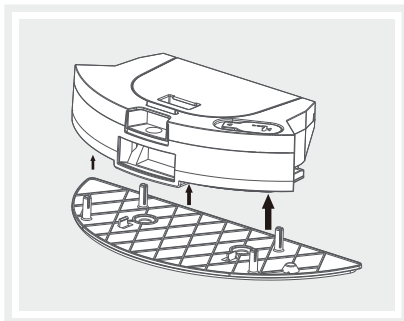
Open the water injection cap and fill it with water. Tightly close the cap once finish water injecting.



Product Operation

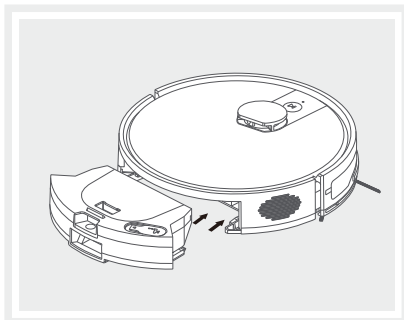
3 Place the mopping support

Paste a mopping support.



4 Install water tank components

Slide it forward, align it with the clip, and when you hear a "click" sound, it is installed in place, and then you can press the sweep button to automatically execute the corresponding mopping mode.

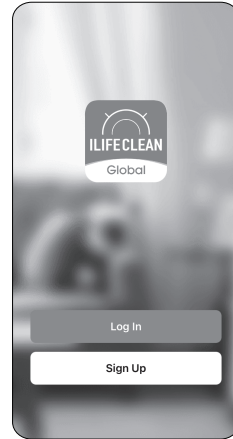


App Connection

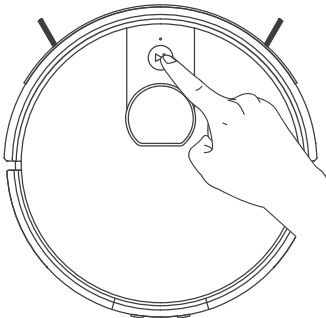
1. Scan the QR code to install the App or search "ILIFE Clean" in the mobile App store to download the App.



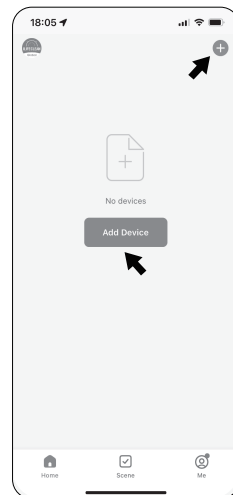
2. Register and log into the App.



3. Firstly start the robot by clicking the AUTO button, press and hold the AUTO button for 5 seconds, and when you hear the voice prompt of "Start pairing the WiFi" and the WiFi indicator light flashes slowly, it means that the machine has entered the networking mode.



4. Click "Add a device" or "+" in the top right corner.



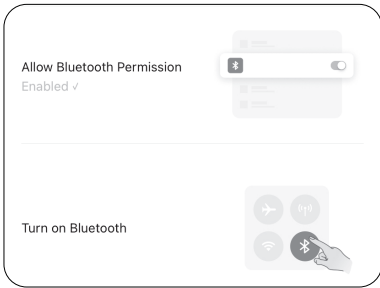
App Connection

5. Two methods available to add the device into the App.

Bluetooth ⇄

Enable Bluetooth on Your Phone:

To connect via Bluetooth, please ensure that Bluetooth is enabled on your phone.

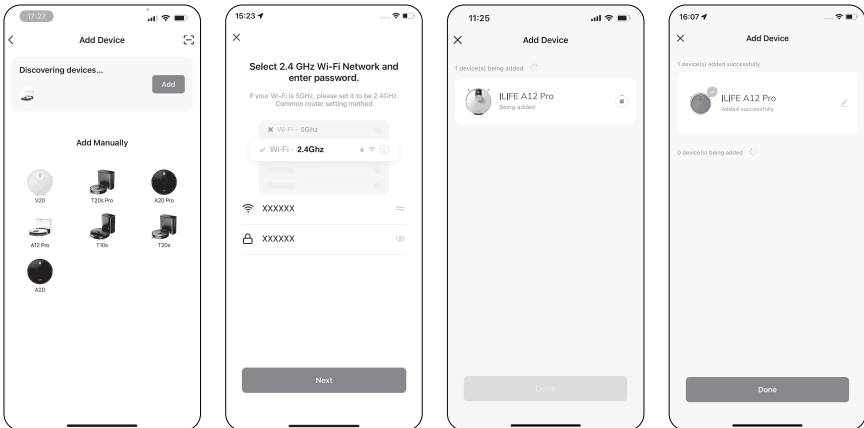


Pairing Process:

Go to setting in the phone and enable Bluetooth >

Back to App and the device will pop up on the top and click Add >

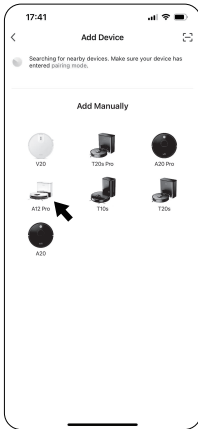
Select home 2.4GHz wifi and enter password > Download and finish.



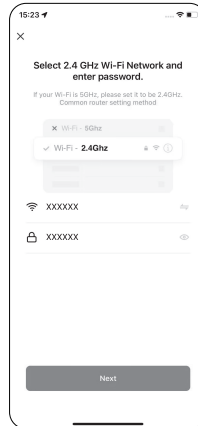
App Connection

AP Mode ⇄

Select your device model.



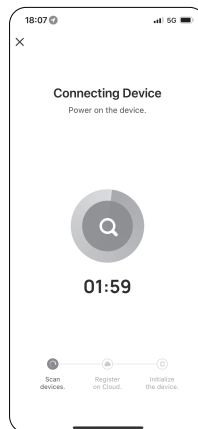
Select a 2.4GHz Wi-Fi network and enter the password.



Go to phone's setting and select the robot's hotspot starting with "SmartLife", and after connecting successfully, return to the App.

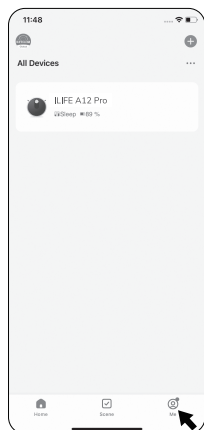


Connecting device is processing. Please wait until finished.

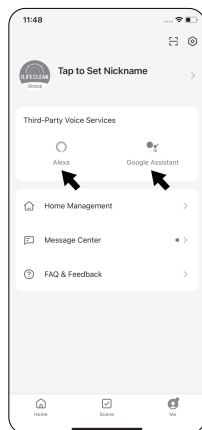


App Connection

Connect with Amazon Alexa or Google Assistant



1. The robot vacuum cleaner connects to the App first. Click "Me" in the bottom right corner.

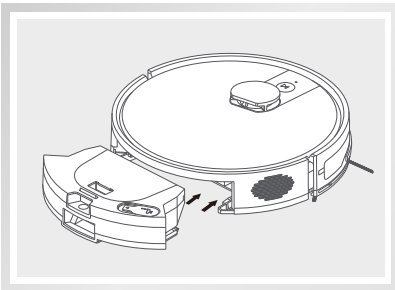
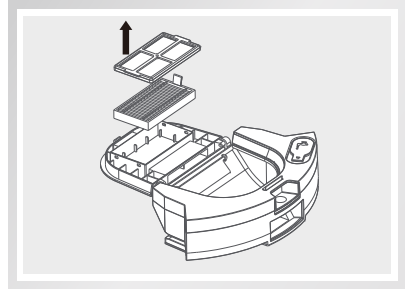
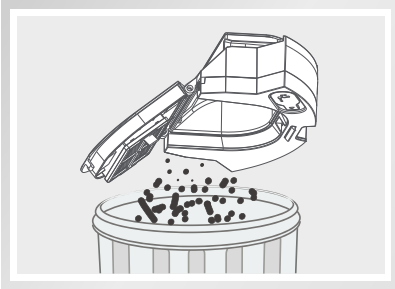
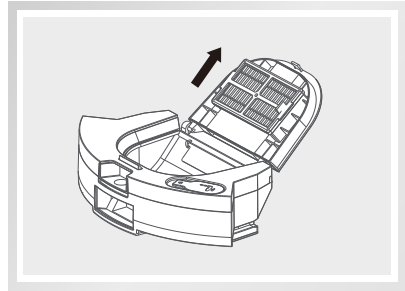
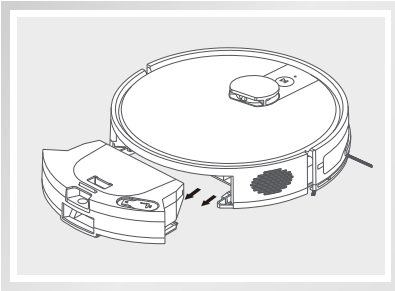


2. Click "Alexa" or "google Assistant" to enter the operation interface.

Maintenance

Clean up dustbin and filters

* Please turn off the robot before cleaning any spare parts, and remember to cut off the power.

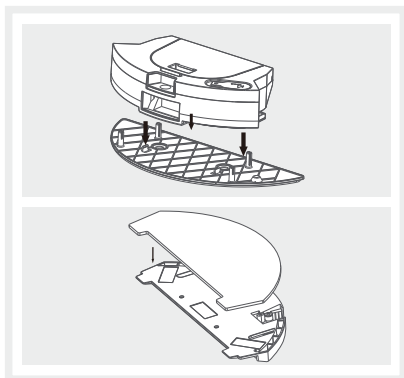


1. Open the cover, take out the dustbin and high-performance filter, and press the button on the dustbin to release all dust, then wipe clean the dustbin.
2. Take out the high-performance filter. Slightly tap it to empty the trash in it.

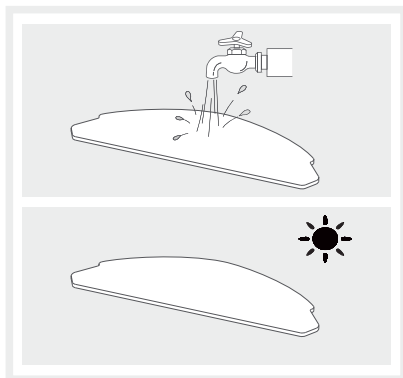
Maintenance

Cleaning of water tank components

1 Clean the mop cloth

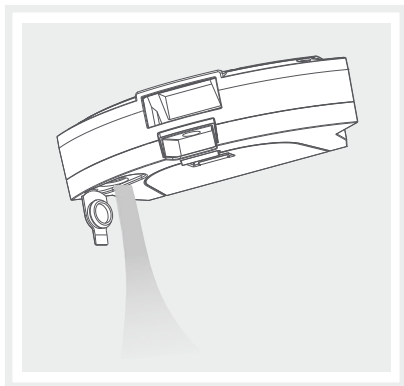


Remove: after mopping, please remove the water tank components and the mop cloth.

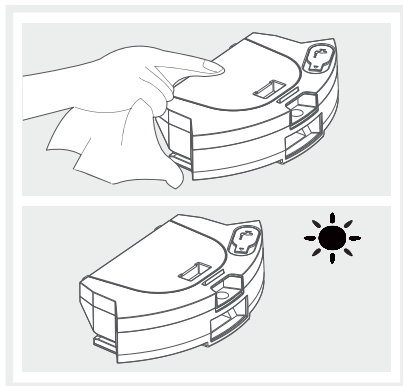


Maintenance: rinse and air dry the mop cloth.

2 Clean the water tank



Remove: after mopping, remove the mop cloth and the components, drain the remaining water in the water tank.

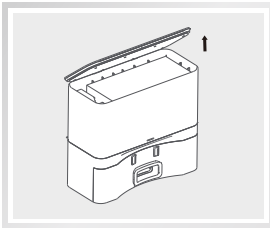


Maintenance: dry the water tank by hand and then air dry it.

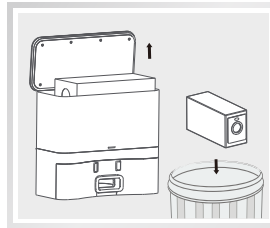
Maintenance

Replacing the dust bag

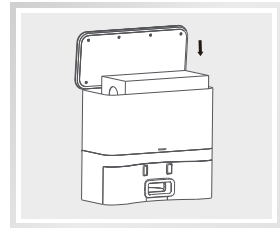
Open the top cover of the dust charging base, remove the dust bag, dispose of it in the trash, take out a new dust bag, check for any damage, place it in the dust bag slot, and cover it with the lid.



Open the top cover of the base station.



Remove the dust bag and discard it.

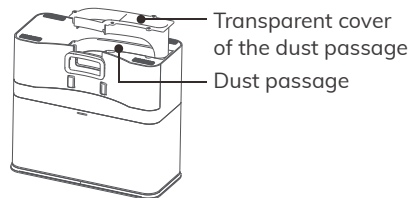


Replace with a new dust bag and cover the top of the station.

- * Damaged dust bags may cause damage to the self-emptying station. Before use, check if the dust bag is intact.
- * Dust bags are disposable consumables with a usage cycle of about one and a half months. Please check and replace them regularly to avoid damage caused by prolonged use.
- * If dirt accumulates in the dust bag compartment of the self-emptying station, it is recommended to clean it regularly to ensure the filter is free of foreign objects, avoiding blockage of the fan inlet and affecting performance.

Cleaning the dust passage

If any foreign objects are found blocking the passage, unplug the power plug, turn over the self-emptying station, and refer to the diagram below. Use a screwdriver to remove the transparent cover of the dust passage and clean out the foreign objects.

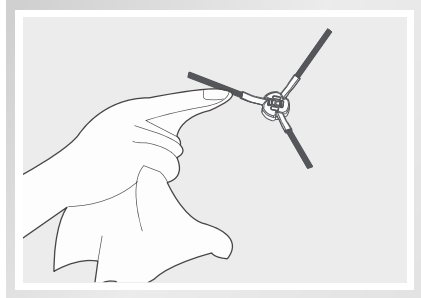
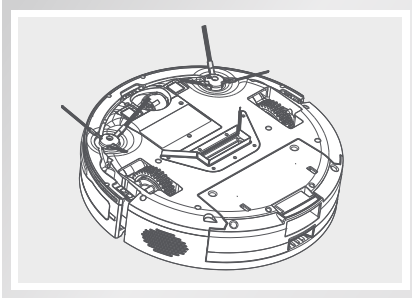


- * Do not disassemble violently. After cleaning, reinstall it as it was.

Maintenance

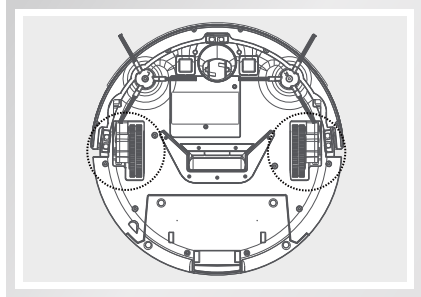
Clean up the side brushes

- Remove side brushes. Wipe clean with a clean cloth.
- When replacing the side brush, please distinguish the corresponding installation position of the "L" "R" side brush.



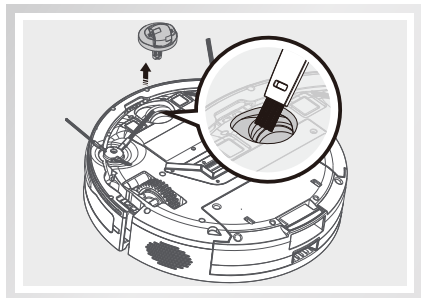
Check side wheels

When a buzzer sounds, turn off the power, and then clear any objects blocking the side wheels.

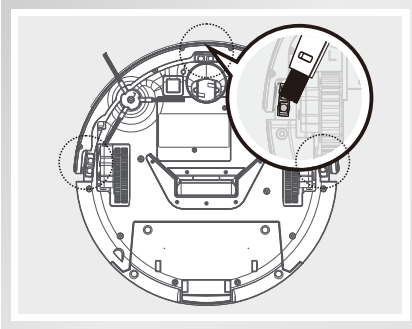


Other spare parts

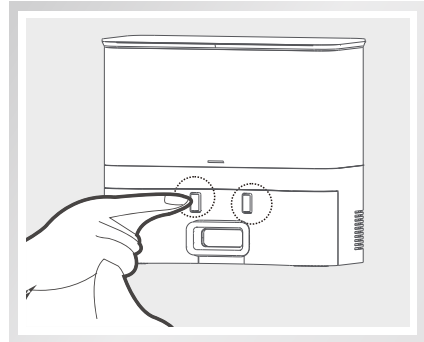
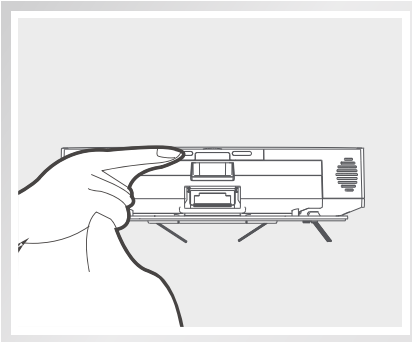
Please turn off the robot first, then pull out the nose wheel vertically, clean off the hair and foreign objects tangled in the nose wheel, and wipe it with a clean cleaning cloth.



Maintenance



Periodically wipe the sensor with a dry cloth to keep it clean.



Clean the charging pins on the robot and the charging dock regularly with dry cloth.

- * When the battery is in the depth of discharge state or not in use for a long time, its capacity will be reduced. In this case, we suggest you to activate it again. Charge the robot on the charging dock for 3mins, and repeat 3 times, then fully charge the robot for 5-6hours.
- * The robot uses long cyclic life batteries. There is no need to replace it frequently. Please contact our support team if necessary.

Troubleshooting

Alert Reference

In case of errors, red light stays on with voice announcement.

No.	Voice announcement	Possible causes	What to do
01	Please check the side brushes	Side brush error.	Remove and clean the side brushes.
02	Please check left wheel.	Left side wheel error.	Check and clean left side wheel.
03	Please check right wheel.	Right side wheel error.	Check and clean right side wheel.
04	Please check vaccum.	Fan error.	Contact Maintenance.
05	Please clap front bumper.	Bumper error.	Tap bumper to confirm it moves normally and is on track.
06	Please clean drop sensors.	Drop sensors error.	Check drop sensors.
07	Please put robot back to the ground.	Robot is lifted up.	Relocate robot to a flat surface.
08	Please check radar sensor.	Radar sensors error.	Check radar sensor, restart the robot again.
09	Auto charging fail, please put the robot back to charging dock.	Unable to explore charging dock.	Place the charging dock.



Note:

If the solutions above don't resolve the issue, please try the following:

1. First, press and hold the AUTO button for 3 seconds to turn off the robot, then press and hold the AUTO button for 2 seconds to turn on the robot.
2. If restarting the robot still does not solve the problem, please send the machine to the after-sales center for repair.

Network Setup Steps:

- 1 Scan the QR code to download the App.



- 2 Turn on the device's Bluetooth and WiFi.
- 3 Register an account in the App.
- 4 Follow the App's network setup instructions for your specific device model.

Button Instructions:

Power On

Press and hold for 2 seconds until the green light remains steady.

Cleaning

Short press to start automatic cleaning.

Power Off

While the device is on, press and hold for 3 seconds until the light turns off.

Reset

While the device is on, press and hold for more than 10 seconds until the light turns off to reset the system.

