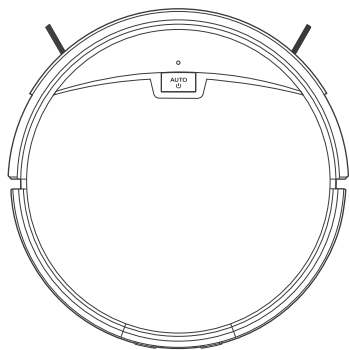


ILIFE-V9

Robotic vacuum cleaner

User Manual



For more detailed information,
please visit: www.iliferobot.com | **ILIFE**

Dear Customer,

Thank you for purchasing the ILIFE V9 Robotic Vacuum Cleaner!
You've joined the millions of people cleaning with robots - the smartest way to do it.

Please take a few moments to read through this manual and familiarize yourself with your robot to achieve the best performance. If you encounter any issues with your robot, feel free to contact our customer service or visit our website at www.iliferobot.com for further assistance. Stay connected with us on Facebook and Twitter to enjoy these exclusive benefits:

- Get tailored support for your specific robot, including answers to your questions, maintenance tips, video demonstrations, live chat, and more.
- Receive product updates and other valuable information, be among the first to discover new robots, exclusive discounts, and special promotions.

Connect with us now on

Facebook: <https://www.facebook.com/ilifeglobal>

Twitter: https://twitter.com/ilife_global

Enjoy comprehensive cleaning every day! Best regards,
ILIFE Innovation

ILIFE Customer Service



support@iliferobot.com

Table of Contents

Safety Instructions	3
Product Composition	5
Accessories List	5
Host Introduction	6
Robot Anatomy	7
2-in-1 Dustbin and Water Tank	8
Charging Dock	8
Remote Control	9
Product Specifications	11
Product Operating	12
Attentions	12
Charging Dock	14
Select Cleaning Modes	17
Operation of the Water Tank	18
APP Download	20
Maintenance	21
Cleaning the Dustbin and Filters	21
Cleaning Water Tank Components	22
Cleaning the Side Brushes	23
Checking the Side Wheels	23
Other Spare Parts	23
Troubleshooting	25
Error Codes	25

Safety Instructions

Warnings

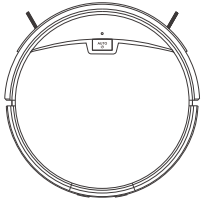
1. This robot should not be used by children under 8 years old or individuals with mental disorders, except under supervision. Do not let children sit on the robot or use it as a toy.
2. Act promptly if an error occurs during cleaning. Before using the robot, remove all power cords and small objects on the floor. Lift carpet fringes and ensure curtains and tablecloths are not in contact with the floor.
3. If there are suspended steps or stairs, please check if the robot can detect them before use. If not, install barriers to prevent falls and ensure the barriers do not cause harm to individuals.
4. Follow the instructions in this user manual. Use only factory-authorized or recommended accessories.
5. Ensure the charging dock voltage is compatible with the power supply voltage.
6. Use the robot indoors and in a household environment only. Do not use it outdoors or in commercial or industrial spaces.
7. Use only factory-authorized adapter and charging dock. Do not use non-rechargeable batteries. Refer to the "Product Specifications" section for battery standards details.
8. Do not immerse the robot in water or rinse it under the tap.
9. Do not clean the robot with a dripping wet cloth.
10. Do not use the robot on floors with stagnant water.
11. Do not use the robot near fire or fragile objects.
12. Keep cloth, human hair, fingers, or other body parts away from the robot's open or operating mechanism.
13. Do not use the robot on floors with stones or paper to avoid blockages.
14. Do not use the robot in areas with flammable substances such as gasoline, toner, etc., or to clean burning objects like cigarettes, ashes, or matches, or anything that could cause a fire.
15. Do not use damaged charging docks.
16. Do not lift the robot or charging dock by the power cord, and keep power cords away from heat and prevent them from getting caught around doors, edges, or corners.

Safety Instructions

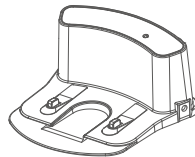
17. Damaged power cords must be repaired by the manufacturer's repair service or certified technicians.
18. Properly install the dust bin and filters before using the robot.
19. Do not use the robot in rooms where babies sleep.
20. Do not use damaged power cords or charging docks to recharge the robot.
Do not use the robot if it's damaged by a fall or if it's soaked in water.
21. Turn off the power switch if the robot will not be used for an extended period.
22. Turn off the power switch before cleaning or maintaining the robot.
23. Unplug the power cords from the charging dock before cleaning or maintaining the robot.
24. Remove the battery before discarding the robot.
25. The robot and battery
26. Do not dismantle the robot to avoid explosion.
27. Follow the instructions in this user manual.
The manufacturer is not liable for damages caused by improper use.

Product Composition

Accessories List



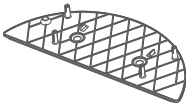
Main Body



Charging Dock



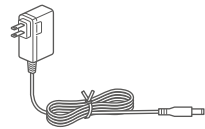
Remote Control



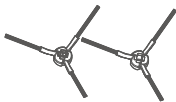
Mopping Support



Mop Cloth



Power Adapter



Extra side brush X2



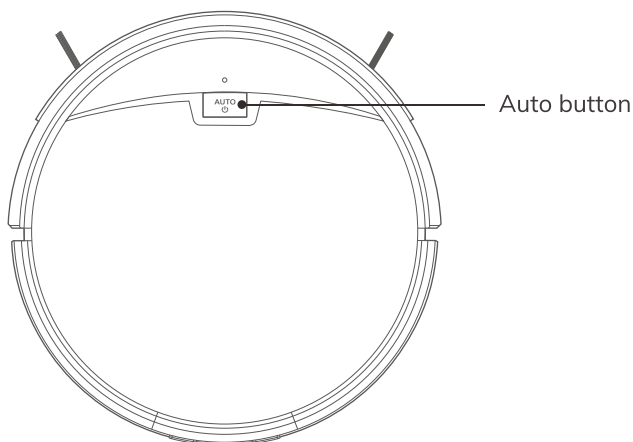
User Manual



AAA Battery X2

Product Composition

Host Introduction

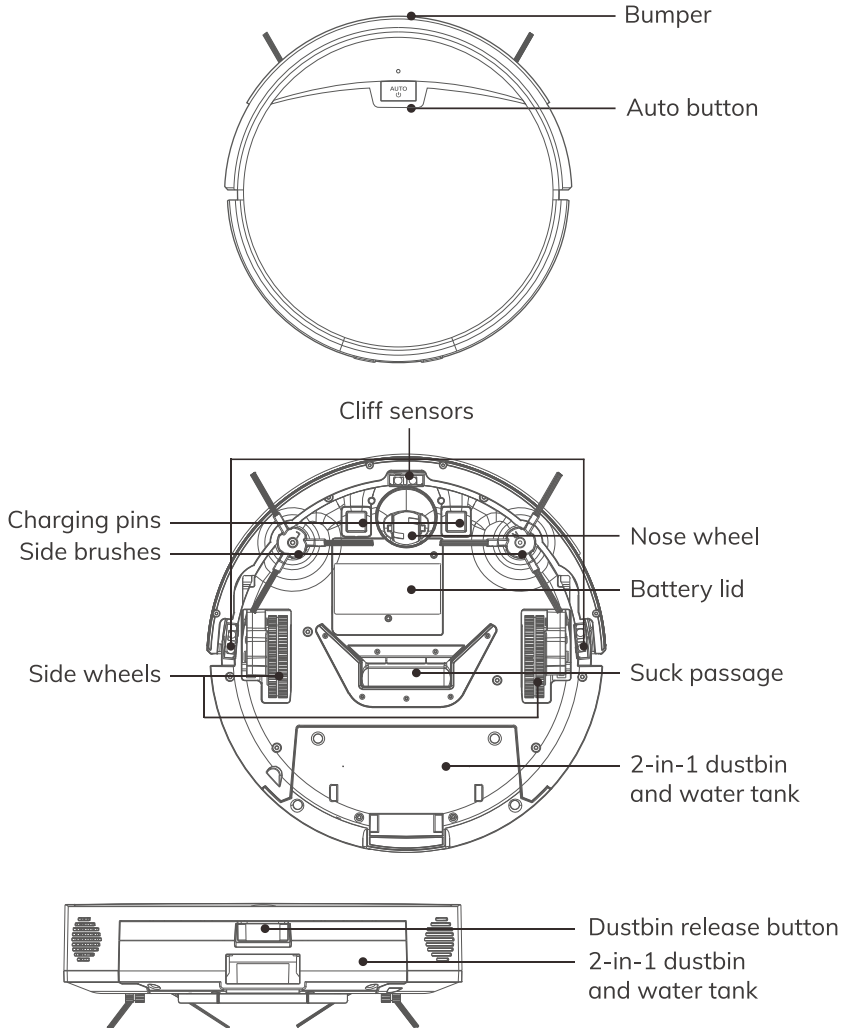


Button	Robot status	Operation	Functional description
Auto Button	Power off	Press and hold for 2 seconds	Turn on the robot
	Power on	Press the button once	Start/Stop cleaning
		Press and hold for 3 seconds	Turn off the robot

Power indicator	Green	Electricity $\geq 15\%$
	Orange	Electricity $\leq 15\%$
	Red	Failure or abnormality

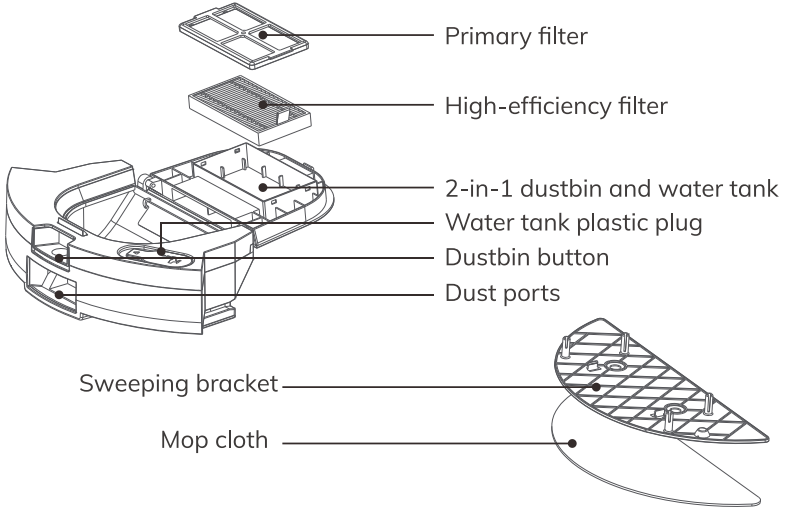
Product Composition

Robot Anatomy



Product Composition

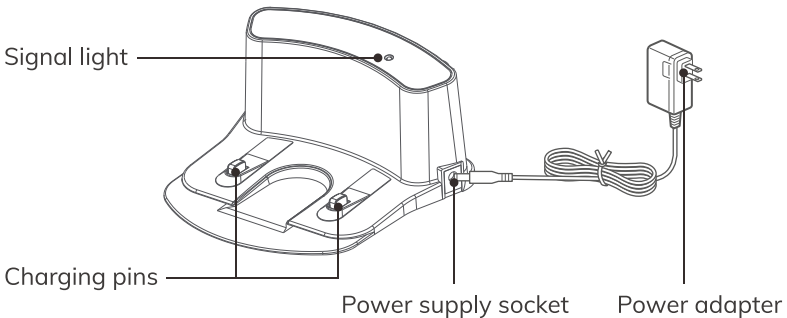
2-in-1 Dustbin and Water Tank



Note:

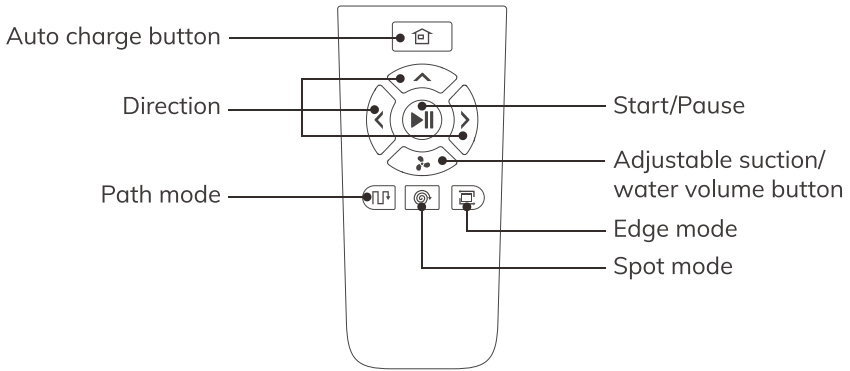
When the water tank is filled with water, the robot's ability to overcome obstacles and climb hills may be affected.

Charging Dock



Product Composition

Remote Control



1 Clean/Pause button

- Press the button to switch the robot from sleep mode to select mode.
- Press the button when in select mode to start cleaning.
- Press the button to pause the robot during its operation.

2 Direction buttons

A. “ ^ ” Forward button

Press the button to move the robot forward.

B. “ ⚙ ” Adjustable suction/water volume button

Press the button to switch suction in working mode, and press this button to switch water flow in mopping mode.

C. “ < ” Left button

Press the button and the robot will turn left.

D. “ > ” Right button

Press the button and the robot will turn right.



Note: “ ^ ” cannot be used during a cleaning cycle.

Product Composition

3 Auto charge button

Press the button and the robot will return to the charging dock for recharging.

4 Edge cleaning button

Press the button to start border cleaning.

5 Spot mode button

Press the button to start the spot cleaning.

6 Path mode

Press the button to start cleaning under path mode.

7 MAX mode

During the cleaning process, if there is a lot of dust, press this button to increase the suction power of the robot. Press it again to switch to the max suction power, press it again to switch to the mute mode suction, and press it again to switch back to auto mode suction.



Note:

Please install two AAA/R03 batteries before using the remote control. Please take out the batteries if the remote control won't be used for a long time.

Product Composition

Product Specifications

Item	Specification
Diameter	315mm
Height	79mm
Weight	2.2kg
Power	40W
Battery type	Li-ion
Charging type	Auto Charging / Manual Charging
Dustbin capacity	0.2L
Water tank capacity	0.2L
Cleaning modes	Auto, Spot, Edge, Daily Schedule
Charging time	<300mins
Cleaning time	≥100mins
Main body button type	Mechanical Button



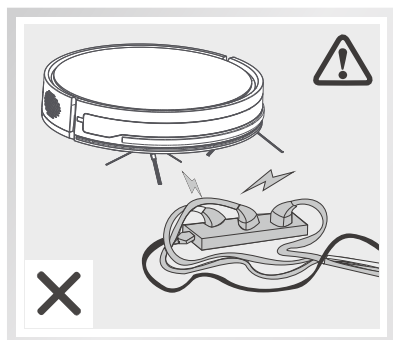
Note:

The company reserves the right of final decision on the interpretation of these terms and conditions.

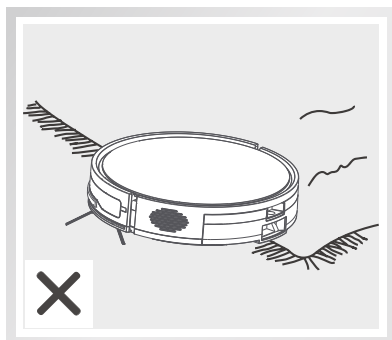
Product Operation

Attentions

The robot may skip certain areas due to the complexity of the home environment. For best results, we suggest using it as a daily routine and clearing obstacles on the floor before starting the robot.



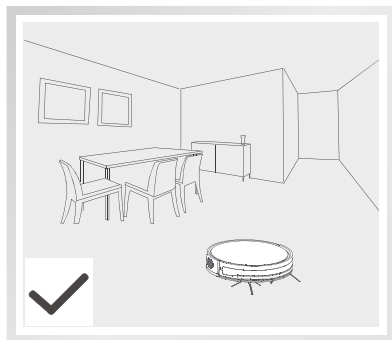
Please keep power cords and other objects that may entangle the robot away before cleaning.



Please fold the edges of carpets before cleaning.

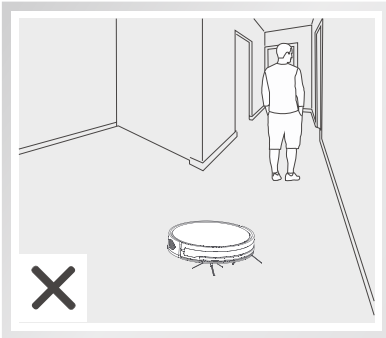


To avoid blockages during cleaning, please tidy up furniture carefully.

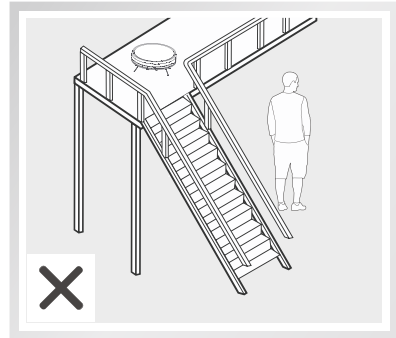


Product Operation

Attentions



Please do not stand in narrow places like the doorway or hallway to avoid blocking the robot and skipping certain areas.



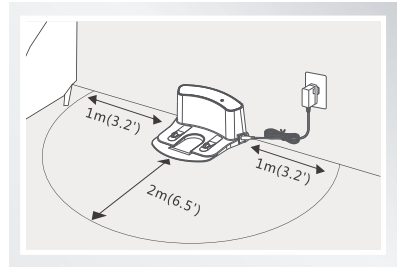
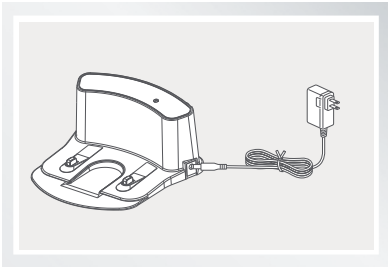
Please do not stand downstairs while the robot is working upstairs to avoid injury from fallen objects.

Product Operation

Charging Dock

1 Placement of charging dock

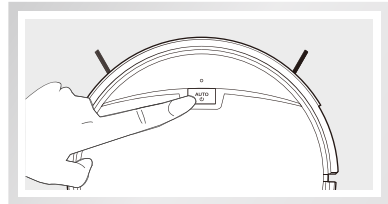
- Connect the adapter to the charging dock.
- Placement of the charging dock: place it against the wall horizontally, and there should be no objects on the left and right sides within a one-meter radius and none in front within a two-meter radius. Also, there should be no reflective objects such as a mirror around the dock.
- Plug in the power.



Reminder: When the charging dock is connected to the adapter, the signal light of the dock will light up.

2 Turn on the robot

- Press the AUTO button for 2 seconds to turn on, and hold it for 3 seconds to turn off.



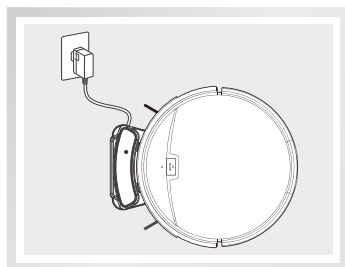
Note:

- After the robot finishes its work, please do not turn it off, and fully recharge it for the next run.
- If the robot pauses working for more than ten minutes, it will enter sleeping mode. If you need to wake up the robot again, you need to press the AUTO button once.

Product Operation

3 Charging the robot

1. Please place the robot on the charging dock.
2. If the AUTO button blinks orange, the robot is charging. The button will turn green when fully charged. Then, the light goes off, and the device enters standby mode.
3. Charge for 6 hours for the first time.

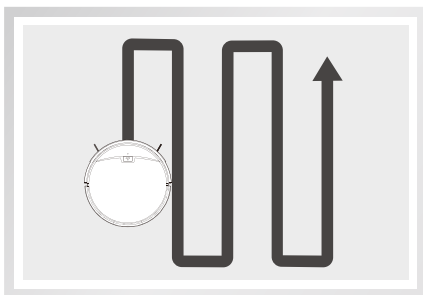
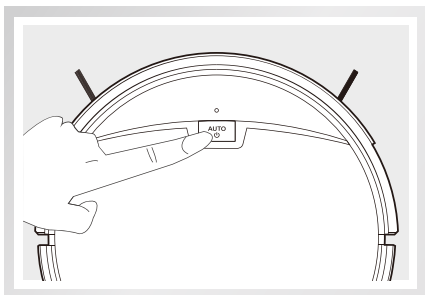


Reminder:

1. Please keep the charging pins clean in daily use to ensure a good connection.
2. Please leave the robot on the charging dock for daily use and make sure that the charging dock is connected to the power and the switch is on.
3. If you won't use the robot for a long time, please fully charge it, turn off the power and keep it in a well-ventilated dry place.

4 Start cleaning

After waking up the robot, you can press the AUTO button once, and the robot will start the automatic cleaning.

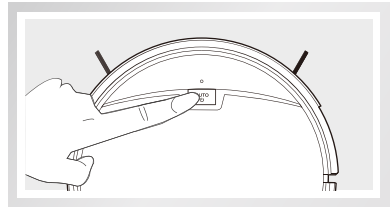


Product Operation

- * Before starting cleaning, you need to make sure the indicator light is flashing and the robot is in a wake-up state. If the robot is sleeping, please press the AUTO button once to wake up the robot.
- * If you want to choose other modes, please operate on the APP.
- * The robot performs path planning autonomously during the working process. If it is manually moved or operated by the APP (except pause), the robot will re-plan the path and may re-clean the cleaned area.
- * To ensure the working efficiency of the robot, please do not manipulate the robot. (If the machine is lifted, it will alarm and stop cleaning, and you need to press the AUTO button or operate the APP to restart cleaning)

5 Pause

While the robot is running, you can pause by pressing the robot's AUTO button or the "pause" button in the APP.



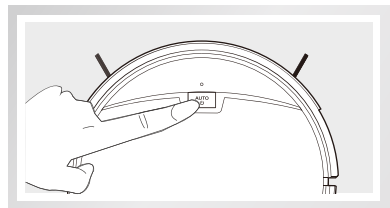
Reminder:

1. The Robot will automatically enter the Sleep Mode if no action is taken for 10 minutes. If you want to start the robot again, please press the AUTO button once to wake up the robot.
2. The robot will work out a new cleaning path, and will clean the areas again which have been cleaned before.

Note: After the sleeping robot in pause mode is woken up again, it needs to be restarted to start cleaning, and the robot will not resume the last unfinished cleaning.

6 Sleep mode

- The robot will automatically enter sleep mode if there is no action for 10 minutes.



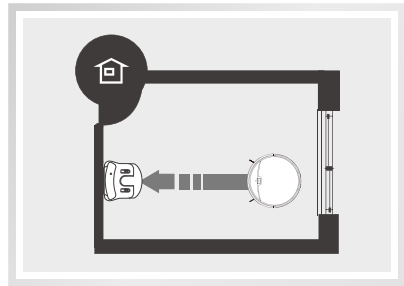
Product Operation

Selecting Cleaning Modes

This product can set a variety of cleaning modes via the app to adapt to different floor conditions and achieve deep cleaning.

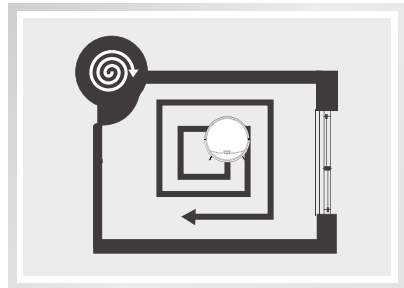
1 Automatic recharge

The robot can detect low battery during the cleaning process and automatically activate the automatic recharge mode to search for the charging dock.



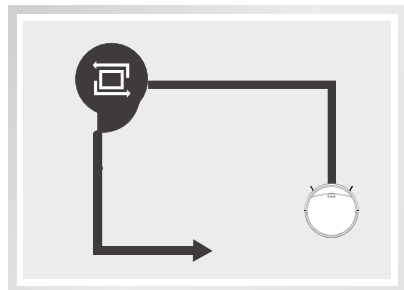
2 Spot mode

This mode is suitable for floor environments where debris is more concentrated. In this mode, the robot can perform concentrated cleaning in a designated area in "spiral" form.



3 Edge mode

This mode is primarily for cleaning interior corners. In this mode, the robot can clean along the edge of fixed objects (such as walls).



Product Operation

Operation of the Water Tank

The water tank with a cleaning cloth is installed in the device.

Please add water to the tank before cleaning. It is recommended to vacuum the floor before mopping. For daily maintenance, please refer to the tips in the corresponding chapter of this manual.

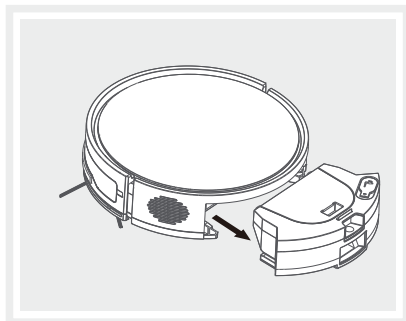


Note:

1. Please do not use water tank components on the carpet.
2. Please pay attention during the mopping mode, timely add water or clean the mopping pad. The water tank needs to be removed when adding water.
3. Be sure to remove the water tank components when charging.

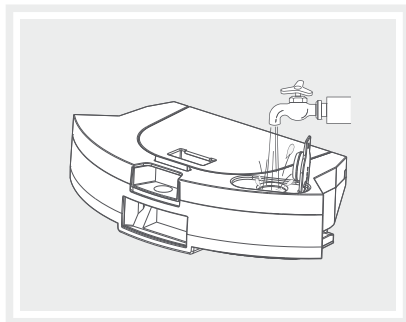
1 Removing water tank components

Slide backward to remove the water tank components.



2 Adding water

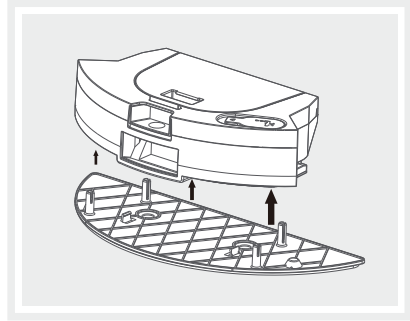
Open the water injection cap and fill it with water. Close the cap tightly once water injection is completed.



Product Operation

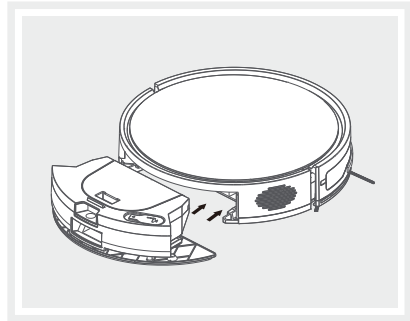
3 Placing the sweeping bracket

Attach a sweeping bracket.



4 Installing water tank components

Slide it forward, align it with the clip, and when you hear a "click" sound, it is installed in place, then you can press the sweep button to automatically execute the corresponding sweeping mode.



APP Download

Application Download

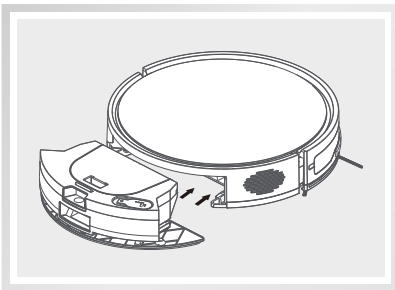
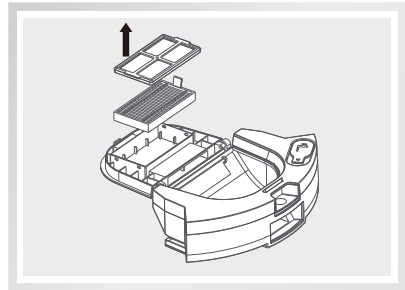
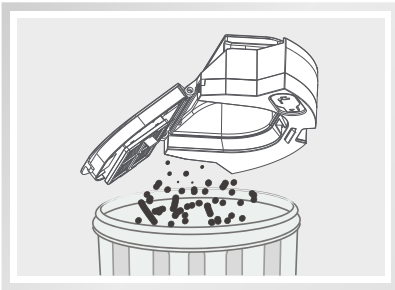
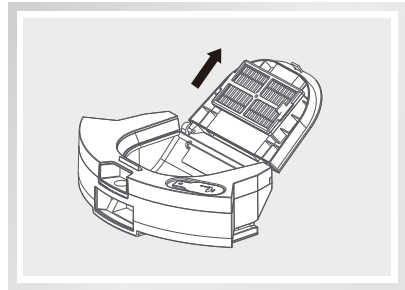
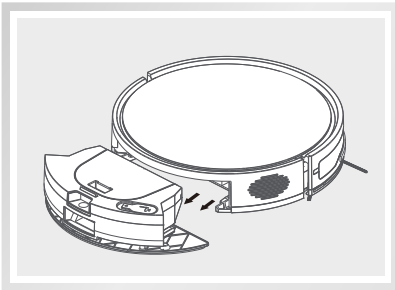
The robot can be controlled via the "ILIFEHOME" app. Scan the QR code to install the app on your iOS or Android device.



Maintenance

Cleaning the Dustbin and Filters

* Please turn off the robot before cleaning the detachable parts, and remember to cut off the power.

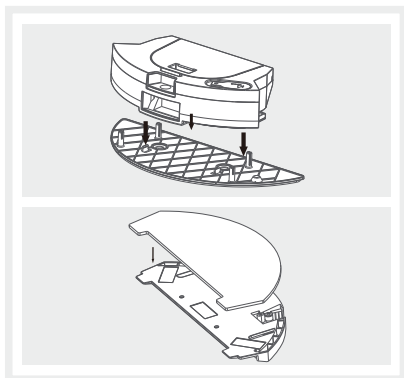


1. Open the lid, take out the dustbin and high-performance filter, and press the dustbin button to release all the dust, then wipe the dustbin clean.
2. Remove the high-performance filter. Gently tap to empty the debris it contains.

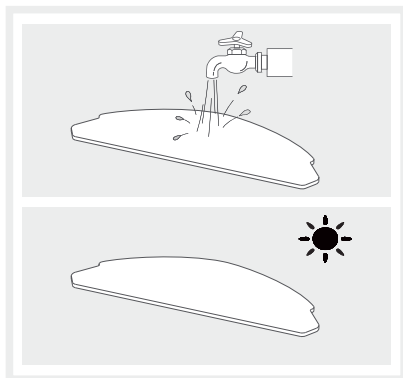
Maintenance

Cleaning Water Tank Components

1 Clean the mop cloth

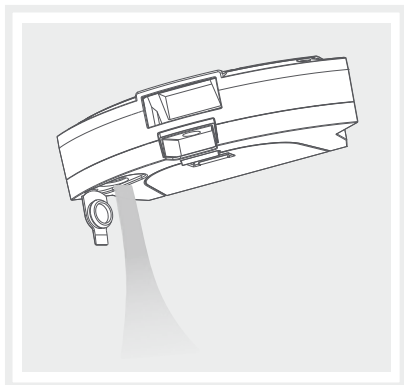


Remove: after cleaning, please remove the water tank components and the mop cloth.

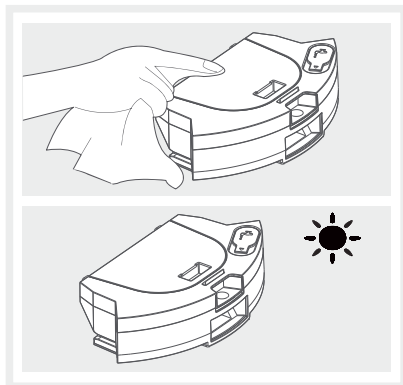


Maintenance: rinse and air dry the mop cloth.

2 Clean the water tank



Remove: after cleaning, remove the mop cloth and components, empty the remaining water in the water tank.

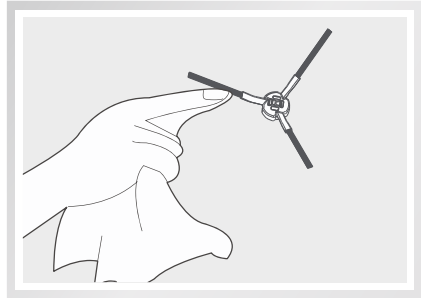
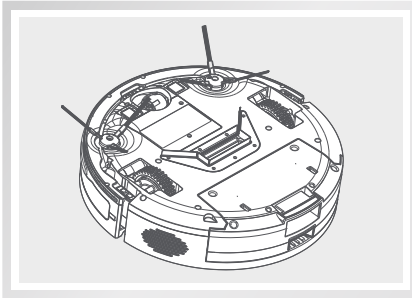


Maintenance: hand dry the water tank and then let it air dry.

Maintenance

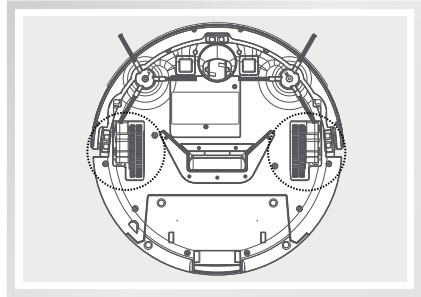
Cleaning the Side Brushes

- Remove the side brushes. Clean them with a clean cloth.
- When replacing the side brush, please distinguish the corresponding installation position of the "L" and "R" side brush.



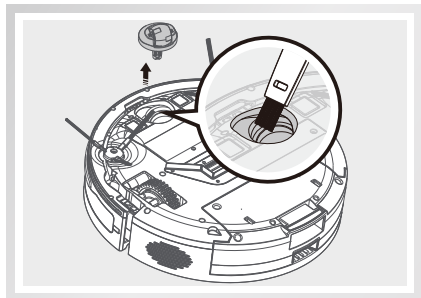
Checking the Side Wheels

When a buzzer sounds, turn off the power, then clear any object blocking the side wheels.

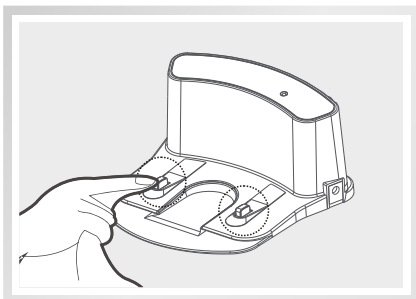
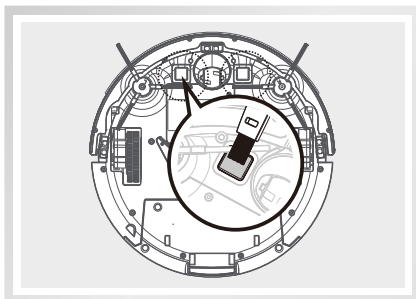


Other Spare Parts

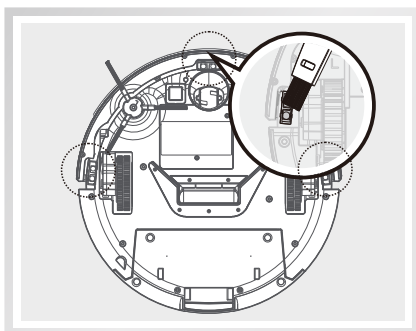
Please turn off the robot first, then pull the front wheel vertically, clean any hair and foreign objects tangled in the front wheel, and wipe it with a clean cleaning cloth.



Maintenance



Regularly clean the charging pins on the robot and the charging dock with a dry cloth.



Periodically wipe the sensor with a dry cloth to keep it clean.

- * When the battery is in a deep discharge state or not used for a long time, its capacity will be reduced. In this case, we suggest you activate it again. Charge the robot on the charging dock for 3 minutes, and repeat this process 3 times, then fully recharge the robot for 5 to 6 hours.
- * The robot uses long-life cyclic batteries. It is not necessary to replace them frequently. Please contact our support team if needed.

Troubleshooting

Error Codes

The robot will remind you of malfunctions by emitting beeps.

- Short tones

NO.	Tone	Cause Possible	What to do
01	•	Wheel, side brushes, or fan problems.	Check and clean the wheels, side brushes, and fans.
02	• •	OBS or bumper sensor or cliff sensor failure.	Check the bumper and OBS, and clean the cliff sensor.
03	• • •	The robot is stuck.	Move the robot.
04	• • • •	gyroscope failure.	Move the robot.



Note:

If the above solutions do not solve the problem, please try the following:

1. First, press the AUTO button and hold it for 3 seconds to turn off the robot, then press the AUTO button and hold it for 2 seconds to turn on the robot.
2. If restarting the robot still does not solve the problem, please send the machine to the after-sales repair center for repair.

Network Setup Steps:

- 1 Scan the QR code to download the app.



- 2 Turn on the device's Bluetooth and WiFi.
- 3 Register an account in the app.
- 4 Follow the app's network setup instructions for your specific device model.

Button Instructions:

Power On

Press and hold for 3 seconds until the green light remains steady.

Cleaning

Short press to start automatic cleaning.

Power Off

While the device is on, press and hold for 3 seconds until the light turns off.

Reset

While the device is on, press and hold for more than 10 seconds until the light turns off to reset the system.

