

Contact us



Email Us

Technical Support
support@iliferobot.com



Tweet Us

@ILIFEROBOTICS

Mon-Fri: 9:00am-18:00pm Sat: 9:00am-12:00pm(GMT+8)

Quick Start Guide



ILIFE Customer Service

Toll-Free Number:

1-800-631-9676 (USA and Canada)

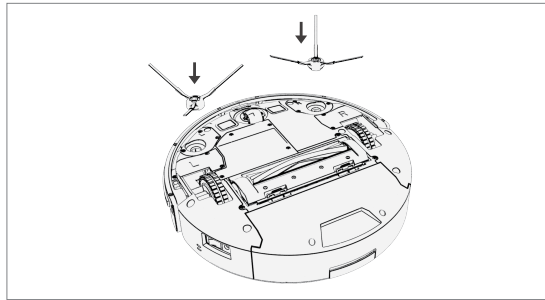
Mon-Fri: 9:00am-18:00pm

+86-75521005927 (Outside USA and Canada)

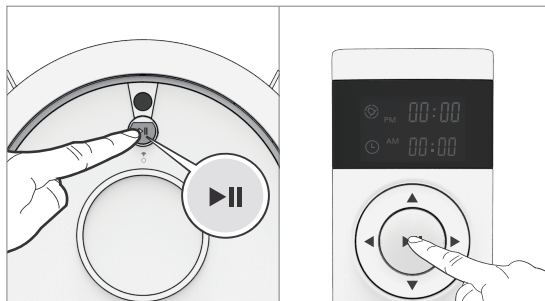
Mon-Fri: 9:00am-18:00pm Sat: 9:00am-12:00pm(GMT+8)

• Before Using Your Robot

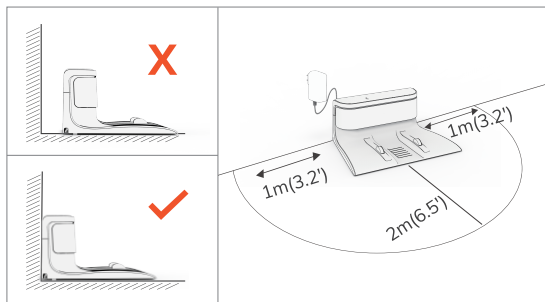
- 1 Install the side brushes.
(yellow - left, blue - right)



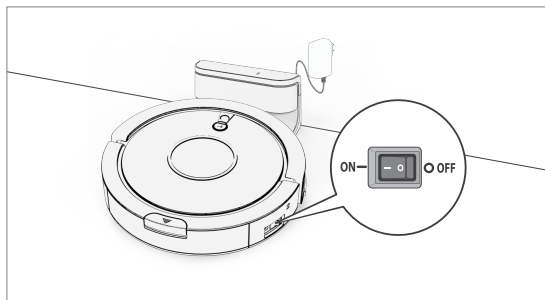
- 2 After switch on power button, the robot start loading. And please wait until voice announcement "ready to clean". Then press the start / pause button to start working.



- 3 Place in against the wall and open area.

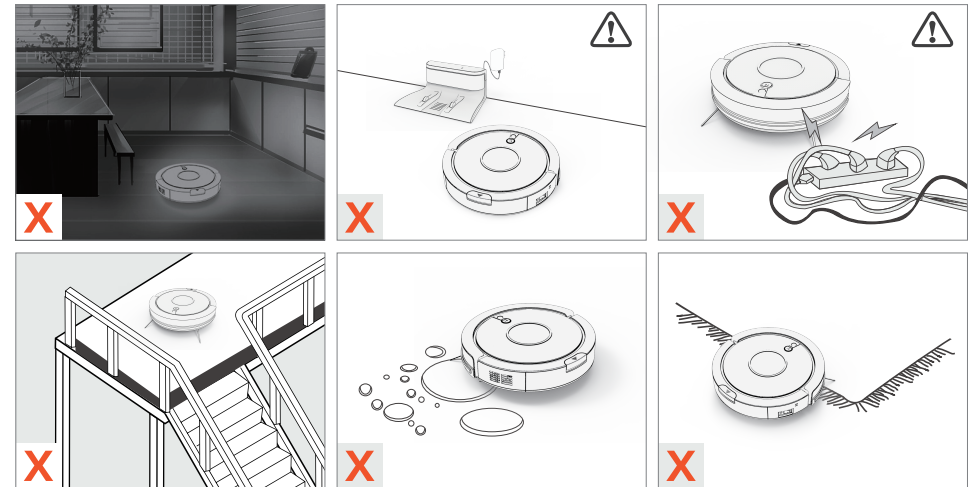


- 4 Fully charge about 4~5h.
Start on the charging dock.



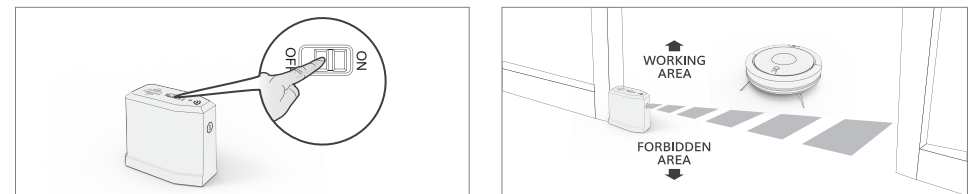
• Important Tips

When using for the first time, follow the robot to observe and resolve any problems that may occur.



1. In order to ensure the cleaning effect, not to use in the dark environment.
2. Ensure the robot is started from the charging dock.
3. Remove all power cords and small objects on the floor.
4. If the robot is used in a high environment, it should be used in a fenced area to avoid a slight probability of falling due to complex environmental influences.
5. The robot contains electronic parts, avoiding damage caused by water ingress.
6. Roll up carpet tassels and make sure curtains and table cloths are not in contact with the floor.

• The Use Method of Electrowall



Place the electrowall on the outside of the area you want to restrict (e.g. the doorway). Ensure the FORBIDDEN AREA marking on the electrowall faces towards the restricted area.